

KFKI-1990-23/C

M.I. VERIGIN et al.

**IONS OF PLANETARY ORIGIN
IN THE MARTIAN
MAGNETOSPHERE**

(PHOBOS-2/TAUS EXPERIMENT)

**Hungarian Academy of Sciences
CENTRAL
RESEARCH
INSTITUTE FOR
PHYSICS**

B U D A P E S T

IONS OF PLANETARY ORIGIN IN THE MARTIAN MAGNETOSPHERE

(PHOBOS-2/TAUS EXPERIMENT)

M.I. VERIGIN*, H. ROSENBAUER**, N.M. SHUTTE*, I. APÁTHY,
A.A. GALEEV*, K.I. GRINGAUZ*, P. HEMMERICH**, G.A. KOTOVA*,
S. LIVI**, A.P. REMIZOV*, A.K. RICHTER**, W. RIEDLER***,
K. SCHWINGENSCHUH***, M. STELLER***, K. SZEGŐ, YE.G. YEROSHENKO****

Central Research Institute for Physics, Hungarian Academy of Sciences
H-1525 Budapest 114, P.O.B. 49, Hungary

*Space Research Institute, USSR Academy of Sciences,
Profsoyuznaya 84/32, Moscow 117810, USSR

**Max-Planck-Institut für Aeronomie,
D-3411, Katlenburg-Lindau, FRG

***Institut für Weltraumforschung/OeAW, 8010 Graz,
Infeldgasse 12, Austria

****Institute of Terrestrial Magnetism, Ionosphere and Radio Wave Propagation,
USSR Academy of Sciences, Troitsk, Moscow region, USSR

Submitted to Planetary and Space Sciences

M.I. Verigin, H. Rosenbauer, N.M. Shutte, I. Apáthy, A.A. Galeev, K.I. Gringauz, P. Hemmerich, G.A. Kotova, S. Livi, A.P. Remizov, A.K. Richter, W. Riedler, K. Schwingenschuh, M. Steller, K. Szegő, Ye.G. Yeroshenko: Ions of planetary origin in the martian magnetosphere (PHOBOS 2/TAUS experiment). KFKI-1990-23/C

ABSTRACT

The measurements onboard PHOBOS-2 martian orbiter revealed one more physical process of martian neutral atmosphere dissipation — outflow of heavy ions of planetary origin through the magnetic tail of Mars. The distribution of heavy ions through the cross section of the martian magnetotail is studied based on TAUS spectrometer data. Average loss rate of heavy ions through the plasmashet (separating magnetotail lobes) is evaluated as $\sim 5 \cdot 10^{24} \text{ s}^{-1}$. The revealed process of martian atmosphere dissipation is important for cosmological time and constitutes $\sim 10\%$ of nonthermal oxygen dissipation due to dissociative recombination of molecular oxygen ions near exobase.

М.И. Веригин, Х. Розенбауэр, Н.М. Шютте, И. Апати, А.А. Галеев, К.И. Грингауз, П. Хеммерих, Г.А. Котова, С. Ливи, А.П. Ремизов, А.К. Рихтер, В. Ридлер, К. Швингеншу, М. Штеллер, К. Сегё, Е.Г. Ерошенко: Ионы планетного происхождения в магнитосфере Марса. КFKI-1990-23/C

АННОТАЦИЯ

Благодаря измерениям, осуществленным бортовыми приборами КА "Фобос-2", обнаружен физический процесс рассеяния марсианской нейтральной атмосферы, а именно, утечка тяжелых ионов планетного происхождения через магнитный хвост Марса. Распределение тяжелых ионов по поперечному сечению магнитного хвоста Марса изучалось на основе данных, полученных с помощью спектрометра ТАУС. Средняя скорость потерь тяжелых ионов через плазменный слой, разделяющий доли магнитного хвоста, составляет $5 \cdot 10^{24}$ ионов/сек. Обнаруженный процесс рассеяния марсианской атмосферы является существенным в масштабе космологического времени, и составляет примерно 10% нетеплового рассеяния кислорода, связанного с диссоциативной рекомбинацией ионов молекулярного кислорода вблизи экзобазы.

Verigin M.I., Rosenbauer H., Shutte N.M., Apáthy I., Galeev A.A., Gringauz K.I., Hemmerich P., Kotova G.A., Livi S., Remizov A.P., Richter A.K., Riedler W., Schwingenschuh K., Steller M., Szegő K., Yeroshenko Ye.G.: Bolygó eredetű ionok a Mars magnetoszférájában. KFKI-1990-23/C

KIVONAT

A Mars körül keringő PHOBOS-2 szonda mérései feltárták a Mars semleges atmoszférája disszipációjának egy új lehetséges módját — a bolygó eredetű nehéz ionoknak a Mars mágneses csóvján keresztül történő kifolyását. E cikkben a TAUS spektrométer mérései alapján a nehéz ionok eloszlását vizsgáljuk a Mars mágneses csóvja metszetében. A nehéz ionok átlagos veszteségi rátája a mágneses csóva lebenyeit elválasztó plazmarétegen keresztül $5 \cdot 10^{24}$ ion/s. A Mars atmoszférájának ez a disszipációs mechanizmusa kozmológikus időskálán igen jelentős; kb. 10%-a az atmoszféra közelében történő, a molekuláris oxigén disszociatív rekombinációja miatti nemtermikus oxigén disszipációnak.

INTRODUCTION

During February-March 1989 the first mass-spectrometric plasma measurements in the vicinity of Mars were performed by the experiments TAUS (Rosenbauer et al., 1989) and ASPERA (Lundin et al., 1989) onboard the Phobos-2 orbiter. At this time the first in-situ plasma measurements were made deeply in the martian magnetotail as well as in the optical shadow of the planet. The data of both instruments revealed the dominance of heavy ions of planetary origin (mainly O⁺) in the martian magnetotail and permitted to estimate the loss rate of planetary oxygen through the magnetotail as a few times 10^{25} c^{-1} (Rosenbauer et al., 1989; Lundin et al., 1989).

These preliminary estimations of the ion loss rate were based on measurements taken at the few orbits analysed in the first publications. Lundin et al. (1989) claimed

that the escape of ionospheric plasma is predominantly contained in the tail boundary of Mars, while Rosenbauer et al. (1989) noted that the largest ion fluxes were observed in the plasmashet of the martian magnetotail.

Now the complete set of plasma measurements is available, and it is reasonable to analyse the distribution of heavy ion fluxes in the cross-section of the martian magnetotail in more details. After this and other analysis the average loss rate of oxygen ions through the magnetotail will be reevaluated. The results obtained will be compared with the oxygen losses by other processes estimated in a number of previous publications.

OBSERVATIONS AND LOSS RATE ESTIMATION

The TAUS instrument onboard Phobos-2 was specially designed for the investigation of the solar wind interaction with Mars. The energetic spectra of three species of ions - protons, alpha-particles and heavy ($M/q > 3$) ions could be measured separately by a system of curved electrostatic analysers and a magnetic deflection system. The instrument field of view of $\sim 40^\circ \times 40^\circ$ was centered on the nominal direction toward the sun, and it was divided into 8 azimuthal \times 8 elevational channels for obtaining the angular resolution. The energy per charge (E/q) range of $\sim 30 \text{ V} - 6 \text{ kV}$ was subdivided into 32 channels. The

sensitivity of the instrument was nearly constant over its entire field of view, depending only on the ion speed. A more detailed description of the TAUS experiment is presented in Rosenbauer et al. (1989a).

During the active life of the Phobos-2 orbiter TAUS data from four elliptical orbits with low ($h \sim 850$ km) pericenter, from one elliptical orbit with high ($h \sim 6400$ km) pericenter, and from 58 circular orbits, quasi-synchronous with the Phobos moon ($h \sim 6150$ km) were obtained. For the systematic studies of planetary heavy ion losses it is reasonable to use the longest uniform set of TAUS data from the circular orbits.

The sequence of 4 min averages of the TAUS counting rates in the heavy ion mode as a function of E/q is presented in the left panel of Fig 1 for March 16, 1989. The time is progressing from bottom to top. From ~ 16 UT to ~ 21 UT Phobos-2 passed subsequently from the solar wind to the magnetosheath region through the bow shock at ~ 16.30 UT, and then from the magnetosheath to the magnetosphere through the magnetopause at ~ 17.23 UT. Approximately in the center of the magnetospheric tail (from ~ 18.10 UT to ~ 18.30 UT) the most intense fluxes of heavy ions with $F \sim 2-4 \cdot 10^7 \text{ cm}^{-2} \text{ s}^{-1}$ were observed. (Please note that the ion fluxes in Fig.1 observed in the solar wind and in the magnetosheath are mainly ghosts of protons from the proper channel. In the magnetotail, where the protons as a rule were not observed even by the proton

channel (much more sensitive to protons than the heavy ion channel), their influence on the heavy ion channel was negligible.) After the subsequent magnetopause (~19.32 UT) and the bow shock (~20.08 UT) crossings, Phobos-2 entered the solar wind region again. The bow shock and the magnetopause positions were defined by the specific changes of the proton spectra measured by the TAUS instrument and described in Rosenbauer et al. (1989).

In the central and right-hand panel of Fig.1 the intensity (B) and the component parallel to magnetotail axis (B_x) of the magnetic field are presented, respectively, as measured by the magnetometer MAGMA. It is clear that the most intense fluxes of heavy ions were observed in the vicinity of the B_x component reversals, i.e. in the vicinity of the magnetic neutral sheet. The region of increased plasma energy and density, in the magnetic tails of Earth and Venus (see e.g. Gringauz et al. (1981)), which includes the neutral sheet, is commonly called plasmashet. That is the reason why such a formation in the magnetic tail of Mars was also named plasmashet by Rosenbauer et al. (1989).

The main features of the areomagnetotail plasmashet are the ion composition and the extreme variability of the location of this formation. In the geomagnetosphere at quiet conditions the plasmashet consists primarily of protons and only during certain substorms the contribution of heavy ions of ionospheric origin reaches ~ 50%. In the

areomagnetsphere, however, the plasmashet consists mainly of heavy ions.

The positions of the plasmashet in the areomagnetsail according to the TAUS data are presented in Fig.2. Heavy lines mark the portions of the Phobos-2 orbits in the magnetsail when heavy ion fluxes exceeded the background values of the instrument by a factor of two or more. The innermost magnetopause positions are marked in Fig.2 by thin vertical bars, and gaps correspond to periods when TAUS plasma measurements were absent. From the data presented in Fig.2 it is clearly seen that in the martian magnetsail the plasmashet was observed not always in the center of the tail (cf. Fig.1) but also nearby the inbound and outbound magnetopause as well as in other parts of the magnetsail; sometimes multiple plasmashet crossings took place during one orbit.

From the data for the 58 orbits presented in Fig.2 we can conclude that the martian plasmashet was observed by the TAUS instrument during ~ 15% of time when Phobos-2 was located in the magnetsail. Taking into account the gaps of data we can estimate that on average during these measurements the plasmashet could be observed during of ~ 25% of the part of Phobos-2 orbit in the magnetsail.

The statement that enhanced fluxes of heavy ions measured by TAUS are really observed near the magnetic neutral sheet was checked by comparison of simultaneous plasma and magnetic field measurements. Such a comparison

could be made for the magnetotail measurements during 36 circular orbits, where proper TAUS and MAGMA data were both available. Every time, when Phobos-2 crossed the magnetic neutral sheet and the B_x component changed its sign, increased fluxes of heavy ions were observed. We found only one exception (at ~ 17.50 UT on March 4, 1989). On the other hand, the enhanced fluxes of heavy ions were not necessary accompanied by the proper change of magnetic field direction. This circumstance is not influence to our concept as the plasmashet scale should be essentially larger than that of the neutral sheet (e.g. in the geomagnetotail), and Phobos-2 could register the plasmashet ions without neutral sheet crossing.

In case the reversal of the B_x component was observed near the inbound (outbound) crossing of the magnetopause, enhanced fluxes of heavy ions were measured just after (before) the magnetopause. This circumstance and the limited number of observational data considered by Lundin et al. (1989) in the first publication are possible reasons of their conclusion that the predominant escape of ionospheric plasma is contained in the martian tail boundary. In fact the most intensive fluxes of heavy ions were measured in the plasmashet, whether it was observed close to the magnetopause or in the magnetotail center.

Observations of multiple plasmashet crossings on some orbits (Fig.2) may be caused by the motion of this formation relative to the spacecraft. There are plasmashet

motions in the geomagnetotail as well. In the areomagnetotail where the contribution of the induced magnetic field is significant (Riedler et al., 1989), the plasmashet could change its orientation and be shifted depending on the direction of the interplanetary magnetic field component perpendicular to the Sun - Mars line, and the solar wind. Thus during different Phobos-2 orbits the spacecraft can cross the plasmashet region under different α - angles (Fig.3). This angle can also vary during one crossing resulting in multiple plasmashet observations.

Assuming that the α - angles were uniformly distributed on average over the $(0, \pi)$ interval during the observational period, we can estimate the characteristic width of the plasmashet to be $d \sim 10\%$ of magnetotail diameter D (Fig3).

Prior to the evaluation of the plasmashet ion fluxes we must be sure that the fluxes are negligible out of the field view (FOV) of the TAUS spectrometer. To verify this, 2-d high bit rate measurements in the plasmashet during elliptical orbits were used. The position of the count rate maximum in the 2-d spectra of heavy ions (see e.g. Fig.4 of Rosenbauer et al. (1989)) was shifting from the upper to the lower boundary of the instrument' FOV while Phobos-2 was rotating around its X-axis with a period of ~ 10 min. So the evaluated heavy ion fluxes were modulated by the rotation of the orbiter. It is only when the count rate maximum was close to the FOV center and the flux evaluated

reached maximal value we can be certain that its estimation is reliable.

On circular orbits during low bit rate measurement the heavy ion fluxes as measured by TAUS were also often modulated by the rotation of the orbiter. To assure that the ion collection by instrument FOV was complete, 1-d angular spectra (averaged over E/q) could be used. For a single Phobos-2 pass through the magnetotail the maxima of heavy ion fluxes should be used for reliable estimation of the plasmashet ion flux for this orbit. Statistics of maximal ion fluxes with $150 \text{ V} < E/q < 6 \text{ kV}$ observed in the martian plasmashet for the 58 Phobos-2 circular orbits is presented in Fig. 4. According to the TAUS data the average flux of heavy ions can be estimated to be $F \sim 2.5 \cdot 10^7 \text{ cm}^{-2} \text{ s}^{-1}$ for the period of active operation of Phobos-2. This value is marked by an arrow in Fig.4.

The last information needed to estimate the oxygen ion loss rate through the plasmashet is the width of the areomagnetic tail. In Fig.5 the magnetopause and the bow shock crossings (including multiple ones) during the Phobos-2 circular orbits are shown. The magnetopause and the bow shock crossings for elliptical orbits are also shown in this figure by heavy dots and triangles, respectively. Smooth solid and dashed curves in Fig.5 represent the positions of the magnetopause and the bow shock boundaries according to the hydrodynamical model of Spreiter et al. (1970) with the H/r_0 parameter value of

~ 0.3 and with the subsolar height of the obstacle $h \sim 600$ km. General agreement of the observed magnetopause and bow shock positions with the theoretical curves is obvious, as well as the presence of large variations of the magnetotail width.

The data presented in Fig.5 permit us to estimate the average magnetotail diameter to be approximately $D \sim 15,000$ km, or ~ 4.4 martian radii at the areocentric distances of 2 - 3 martian radii downstream of the planet. According to the Mars-5 orbiter measurements the characteristic magnetotail width was ~ 3.2 martian radii on February 1974 (Gringauz, 1981). Both estimations essentially exceed the characteristic magnetotail width of the nonmagnetic Venus (~ 2.2 planetary radii; Gringauz, 1981), thus indicating the influence of the martian intrinsic magnetic field on the magnetotail formation.

Taking now the possible martian plasmashet configuration (Fig.3) with D given above into account, and the average heavy ion flux F , we can estimate the average loss rate of martian oxygen through the plasmashet to be $\Phi \sim F \cdot d \cdot D \sim 5 \cdot 10^{24} \text{ s}^{-1} \sim 150 \text{ g/s}$.

The accuracy of Φ evaluation is not high. It is mainly concerned with the observed variations (by a factor of 2 - 3) of the magnetotail width D (Fig.5) and of the heavy ion fluxes F (Fig.4). The above estimations are also model dependent to some extent.

DISCUSSION

The process of oxygen ion losses through the plasmashet of the martian magnetotail is the first process of a mass loss of the planet measured by direct in-situ method. The average loss rate estimated above of ~ 150 g/s corresponds to a martian atmospheric dissipation rate of $\sim 4 \cdot 10^{-17}$ mbar/s. If this rate is permanent, the present 7-10 mbar martian atmosphere would be dissipated during $\sim 5-8 \cdot 10^9$ years. This time is comparable to the age of the planet. The process of martian atmosphere dissipation revealed by the Phobos-2 plasma experiments is therefore important for the evolution of the martian atmosphere.

The losses of martian ions through the planetary magnetotail was never considered theoretically. In the papers of Michel (1971) and Cloutier et al. (1974) ion escape to the solar wind only above the obstacle is considered. In both papers the total ion escape flux in this region (1-10 g/s) was drastically underestimated due to the assumption of an exponentially decreasing source of heavy ions although, as it is clear now, the main source of heavy martian ions in the solar wind is the huge hot oxygen corona of the planet (see below).

The only experimental attempt to estimate an oxygen flux through the martian tail before Phobos-2 was made by Vaisberg et al. (1975) and Vaisberg (1976) using the data

from the RIEP spectrometer on Mars-5. They detected ion fluxes escaping through what they thought was a thin (~ 1000 km) boundary layer of the tail of diameter $D \sim 12000$ km and with a typical ion flux of $F \sim 2 \cdot 10^6 \text{ cm}^{-2} \text{ s}^{-1}$ ($F \sim 3 \cdot 10^7 \text{ cm}^{-2} \text{ s}^{-1}$ on February 20, 1974) arrived at an ion loss rate of $\Phi \sim 10^{24}$ to 10^{25} s^{-1} (Vaisberg, 1976; Vaisberg and Smirnov, 1986).

Although they interpreted the results in terms of heavy ions they could not be sure because their spectrometer only contained an electrostatic analyser and could not discriminate masses. Later Bezrukikh et al. (1978) interpreted RIEP data with the presence of protons only (see also Vaisberg and Smirnov (1978) for response). The Mars-5 orbit did not penetrate far into the martian tail and was not able to determine the relationship to the plasmashet structure as has been done here.

Though the process of martian oxygen ion outflow through the plasmashet is important for the evolution of the planetary atmosphere, it is not the main process of oxygen dissipation. Indeed, the dissociative recombination of the main ionospheric ion O_2^+ in the vicinity of the martian exobase ($h_e \sim 200$ km) leads to the formation of fast oxygen atoms. The dominant energy of such atoms $E \sim 2.5$ eV exceeds the oxygen escape energy $E_{esc} \sim 2$ eV thus leading to the formation of the hot oxygen corona and providing a heavy ion dissipation flux of $F \sim \alpha n_e^2(h_e) H \sim 8 \cdot 10^7 \text{ cm}^{-2} \text{ s}^{-1}$, where $n_e \sim 10^4 \text{ cm}^{-3}$ is the exobase electron density,

$H \sim 28$ km is the neutral scale height, and $\alpha \sim 3 \cdot 10^{-7}$ $\text{cm}^3 \text{ s}^{-1}$ is the dissociative recombination rate (Krasnopolsky, 1986; Ip, 1988). So, the total rate of oxygen dissipation from the sunlit planetary hemisphere can be estimated as $\Phi \sim 5 \cdot 10^{25} \text{ s}^{-1}$, i.e. by an order of magnitude higher than the loss rate through the plasmashet.

Although the existence of the martian hot oxygen corona was predicted 18 years ago (McElroy, 1972), its observational verification is still absent (Nagy and Cravens, 1988). The oxygen loss rate through the corona still needs experimental confirmation.

What is the origin of oxygen ions escaping from the planet through the magnetotail plasmashet? It can be shown that the production rate of O^+ ions from the hot oxygen corona between exobase and magnetopause is more than by an order of magnitude less than the one needed, even for the model of the hot oxygen corona of Ip (1988) with a larger oxygen density than in case of the Nagy and Cravens (1988) model. O^+ ions originating from the thermal oxygen population, which is much more abundant below the magnetopause, need to be accelerated into the plasmashet.

Possible regions for such a process could be the wide polar caps as part of martian magnetosphere produced by feasible weak intrinsic magnetic field, or the polar holes (Perez-de-Tejada, 1980) of the induced part of the martian magnetosphere. In the first case the polar winds and the subsequent heavy ion drifts towards the plasmashet under

the influence of cross tail electric field can provide a proper plasma population. In the second case the acceleration of heavy ions take place under their interaction with the magnetosheath plasma, which has direct access to the magnetosphere through the polar holes.

The origin of martian plasmashet ions and the process of their acceleration need further detailed experimental and theoretical studies and can be considered as a matter of further publications.

CONCLUSION

The plasma measurements deeply in the martian magnetotail by the Phobos-2 TAUS spectrometer revealed the existence of a plasmashet on both sides of the magnetic neutral sheet.

The plasmashet of the martian magnetosphere is mainly formed by heavy ions (O^+).

At areocentric distances of 2-3 martian radii downstream the planet:

- the average magnetotail width is ~ 4.4 martian radii;
- the characteristic plasmashet scale is $\sim 10\%$ of magnetotail width;
- the typical flux of heavy ions in the plasmashet is $\sim 2.5 \cdot 10^7 \text{ cm}^{-2} \text{ s}^{-1}$.

The average loss rate of oxygen ions through the plasmashield is estimated to be $\sim 5 \cdot 10^{24} \text{ s}^{-1}$, or $\sim 150 \text{ g/s}$.

The process of martian heavy ion losses through the plasmashield is the only one supported by reliable in-situ observational data.

The oxygen loss rate evaluated is important for the evolution of the martian atmosphere.

FIGURE CAPTIONS

Fig.1 4-min averages of energy spectra registered by TAUS in the heavy ion measurement mode on March 16, 1989 (left panel). Intensity B (central panel) and parallel to Sun - Mars line component B_x of magnetic field (right panel). Time is running from bottom to top. At the right of the outer panels different space regions are marked. Solid line denotes the solar wind region, thick full line - magnetosheath, dashed line - magnetosphere, and crosses mark the plasmashet.

Fig.2 Plasmashet locations in the martian magnetotail on circular orbits. On the left side dates of the tail crossings are given. Heavy black lines mark the parts of Phobos-2 orbits where the heavy ion fluxes exceed 2 times the instrument background. The innermost magnetopause positions are shown by vertical bars. Gaps correspond to the absence of TAUS data. The distance along abscissa is proportional to the distance along the orbit from the midnight meridian crossing (dashed line).

Fig.3 A cross-section of the model magnetotail of Mars. The plasmashet is hatched. Solid line represents an orbit of Phobos-2.

Fig.4 The histogram of the distribution of heavy ion fluxes in the martian plasmashet. 58 circular orbits

were considered. The arrow marks the average flux of the plasmashet ions.

Fig.5 Statistics of magnetopause and bow shock crossings (including multiple ones) for Phobos-2 circular orbits. Martian solar ecliptic coordinates are used. Solid and dashed curves show the positions of the magnetopause and bow shock respectively according to the hydrodynamical model of Spreiter et al. (1970), with $H/r_0 \sim 0.3$ and a subsolar height of the obstacle $h \sim 600$ km. Heavy dots and triangles mark magnetopause and bow shock crossings on the elliptical orbits, respectively.

REFERENCES

- Bezrukikh, V.V., Verigin, M.I., Shutte, N.M. (1978). On the experimental evidences of the presence of heavy ions in the region of solar wind interaction with Mars. *Kosmicheskie Issledovaniya* 16, 583-587 (in Russian).
- Cloutier, P., Daniell, R. and Butler, D.M. (1974). Atmospheric ion wakes of Venus and Mars in the solar wind. *Planet. Space Sci.* 22, 967-990.
- Gringauz, K.I. (1981). A comparison of the magnetospheres of Mars, Venus and the Earth. *Adv. Space Res.* 1, No.1, 5-24.
- Ip, W.-H. (1988) On a hot oxygen corona of Mars. *Icarus* 76, 135-145.
- Krasnopolsky, V.A. (1986). Photochemistry of the atmospheres of Mars and Venus. (Techn. ed. U. von Zahn) Springer-Verlag, Berlin-Heidelberg-New York-Tokyo.
- Lundin, R., Zakharov, A., Pellinen, R., Borg, H., Hultqvist, B., Pissarenko, N., Dubinin, E.M., Barabash, S.W., Liede, I. and Koskinen, H. (1989). First measurements of the ionospheric plasma escape from Mars. *Nature* 341, No.6243, 609-612.
- Michel, F.S. (1971). Solar-wind-induced mass loss from magnetic field-free planets. *Planet. Space Sci.* 19, 1580-1583.
- McElroy, M.B. (1972). Mars: an evolving atmosphere. *Science* 175, 443-445.
- Nagy, A.F. and Cravens, T.F. (1988). Hot oxygen atoms in the upper atmospheres of Venus and Mars. *Geophys. Res. Lett.*

15, 433-435.

Perez-de-Tejada, H. (1980). Viscous flow circulation of the solar wind behind Venus. *Science* 207, 981-983.

Riedler, W., Moehlmann, D., Oraevsky, V.N., Schwingenschuh, K., Yeroshenko, Ye., Rustenbach, J., Aydogar, Oe., Berghofer, G., Lichtenegger, H., Delva, M., Schelch, G., Pirsch, K., Fremuth, G., Steller, M., Arnold, H., Raditsch, T., Auster, U., Fornacon, K.-H., Schenk, H.U., Michaelis, H., Motschmann, U., Roatsch, T., Sauer, K., Schroeter, K., Kurths, J., Lenner, D., Linthe, J., Kobzev, V., Styashkin, V., Achache, J., Slavin, J., Luhmann, J.G. and Russell, C.T. (1989). Magnetic field near Mars: First results. *Nature* 341, No.6243, 604-607.

Rosenbauer, H., Shutte, N., Apathy, I., Galeev, A., Gringauz, K., Gruenwaldt, H., Hemmerich, P., Jockers, K., Kiraly, P., Kotova, G., Livi, S., Marsh, E., Richter, A., Riedler, W., Remizov, A., Schwenn, R., Schwingenschuh, K., Steller, M., Szego, K., Verigin, M. and Witte, M. (1989). Ions of martian origin and plasma sheet in the martian magnetotail: Initial results of TAUS experiment. *Nature* 341, No.6243, 612-614.

Rosenbauer, H., Shutte, N., Apathy, I., Verigin, M., Galeev, A., Gringauz, K., Remizov, A., Riedler, W., Szego, K., Hemmerich, P., Schwingenschuh, K., Steller, M. (1989a). The study of three-dimensional distribution functions of the main solar wind ions - protons and alpha-particles in Phobos mission. TAUS experiment (MPK instrumentation).

- The instrumentation and methods of space research (Ed. V.M. Balebanov) Nauka publ., Moscow, 30-43 (in Russian).
- Spreiter, J.R., Summers, A.L. and Rizzi, A.W. (1970). Solar wind flow past nonmagnetic planets - Venus and Mars. Planet. Space Sci. 18, 1281-1299.
- Vaisberg, O.L., Smirnov, V.N., Bogdanov, A.V., Kalinin, A.P., Karpinsky, I.P., Polenov, B.V. and Romanov, S.A (1975). Ion flux parameters in the region of solar wind interaction with Mars according to measurements of Mars-4 and Mars-5. Preprint D-191, Space research institute of USSR Academy of sciences, Moscow, 1-35.
- Vaisberg, O.L. (1976). Mars - Plasma environment. Physics of solar planetary environments. Vol.2 (Ed. D.J. Williams) AGU publ., Boulder, Colorado, 854-871.
- Vaisberg, O.L., Smirnov, V.N. (1978). On the reliability of the identification of heavy ions in the plasma flow near Mars. Kosmicheskie Issledovaniya 16, 588-596 (in Russian).
- Vaisberg, O. and Smirnov, V. (1986). The martian magnetotail. Adv. Space Res. 6, No.1, 301-314.

PHOBOS-2, March 16, 1989

MAGNETIC FIELD / MAGMA

HEAVY ION MODE / TAUS

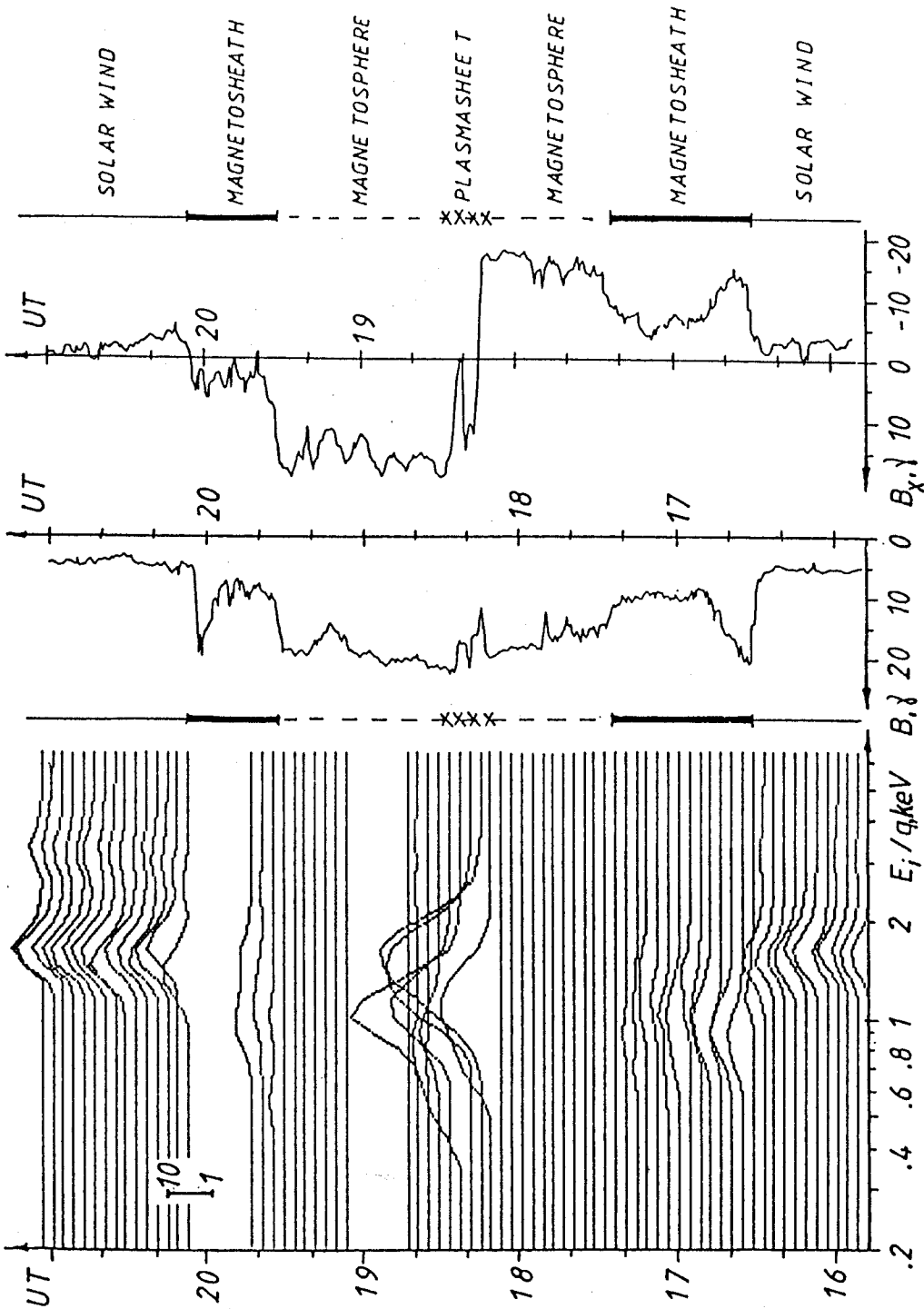


Fig. 1

PHOBOS-2 / TAUS MAGNETOTAIL PLASMASHEET OBSERVATIONS (circular orbits)

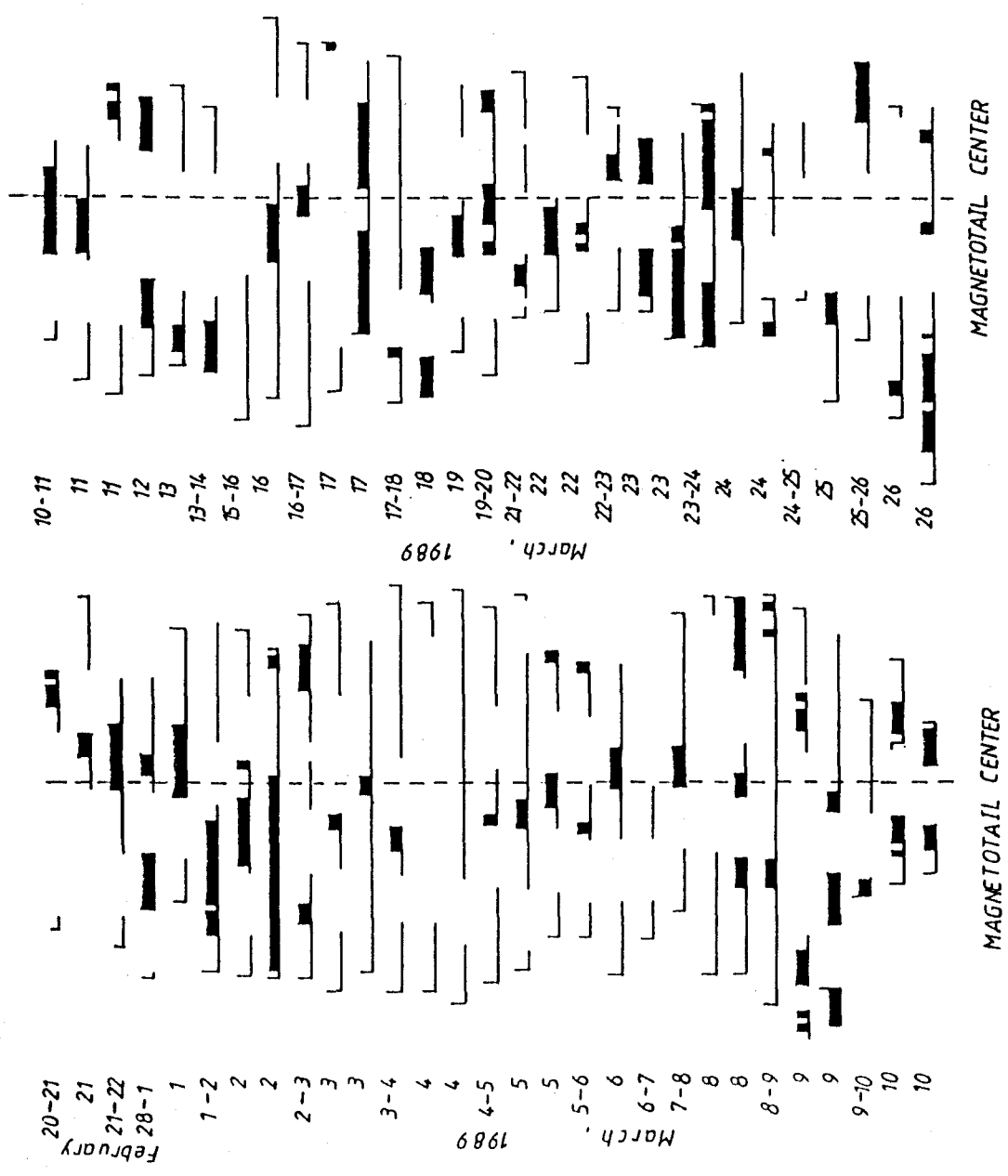


Fig. 2

MAGNETOTAIL PLASMASHEET MODEL

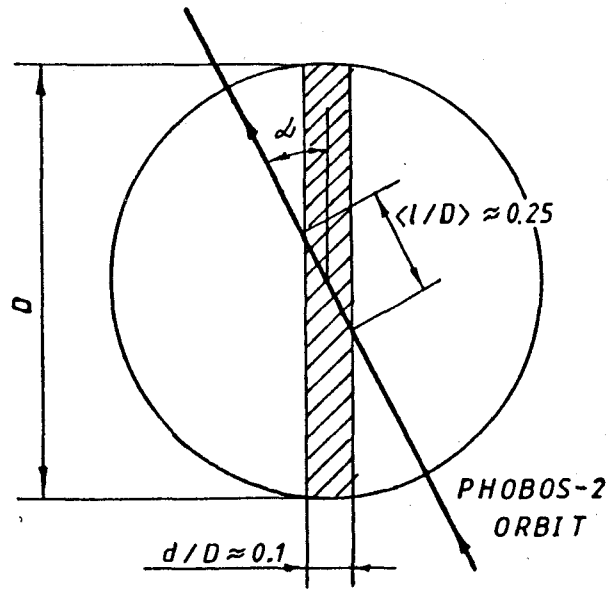


Fig. 3

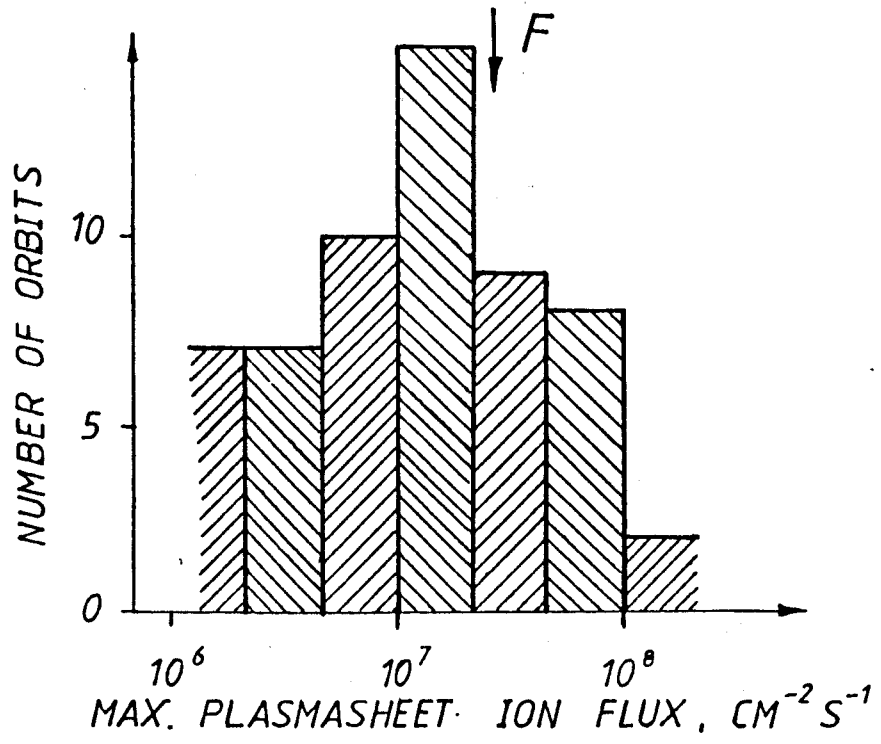


Fig. 4

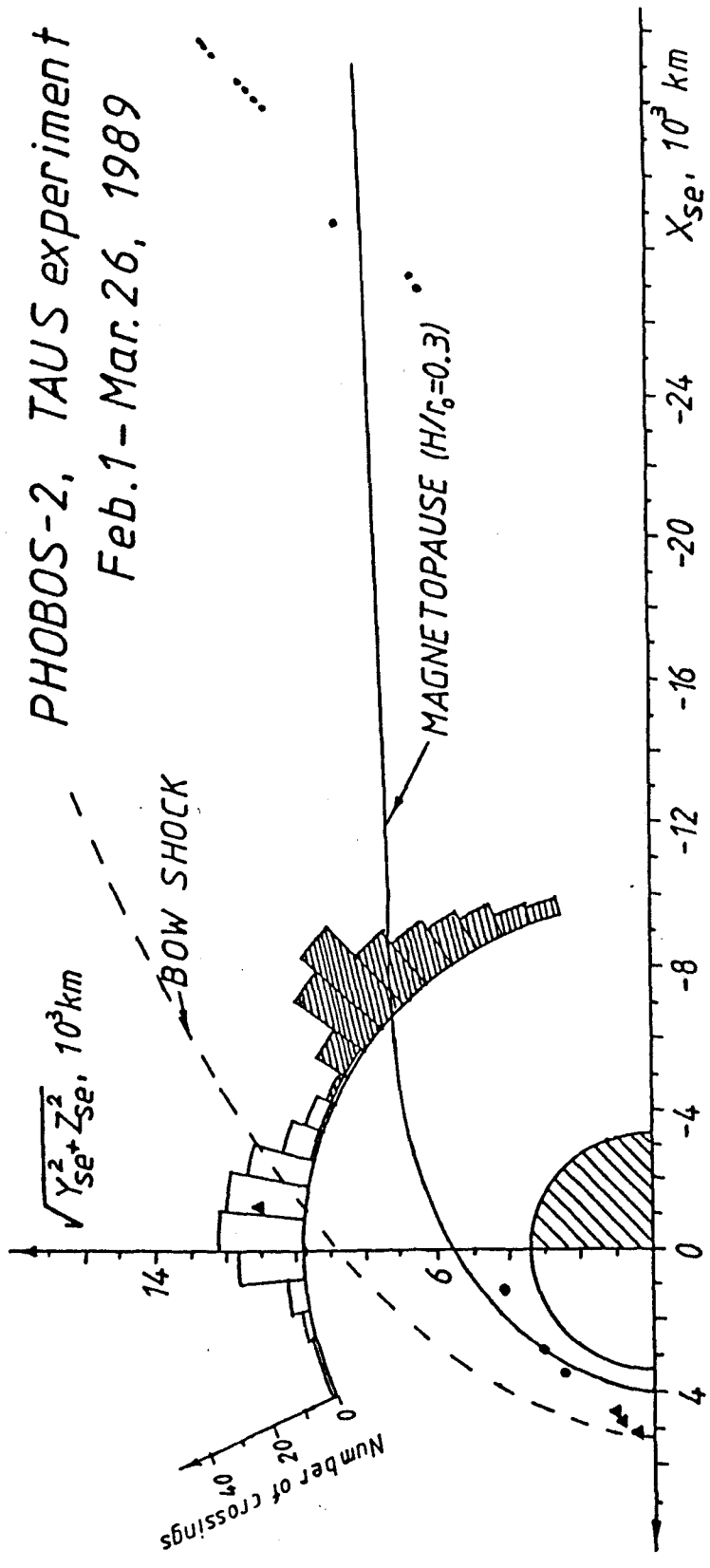


Fig. 5

The issues of the KFKI preprint/report series are classified as follows:

- A. Particle and Nuclear Physics
- B. General Relativity and Gravitation
- C. Cosmic Rays and Space Research
- D. Fusion and Plasma Physics
- E. Solid State Physics
- F. Semiconductor and Bubble Memory Physics and Technology
- G. Nuclear Reactor Physics and Technology
- H. Laboratory, Biomedical and Nuclear Reactor Electronics
- I. Mechanical, Precision Mechanical and Nuclear Engineering
- J. Analytical and Physical Chemistry
- K. Health Physics
- L. Vibration Analysis, CAD, CAM
- M. Hardware and Software Development, Computer Applications, Programming
- N. Computer Design, CAMAC, Computer Controlled Measurements

The complete series or issues discussing one or more of the subjects can be ordered; Institutions are kindly requested to contact the KFKI Library, individuals the authors.

Title and classification of the issues published this year:

- KFKI-1990-01/C A.J. Somogyi et al.: Particle acceleration in the plasma fields near Comet Halley
- KFKI-1990-02/E S. Borbély et al.: Thermal stability of $Ti_{41}Zr_{41}Si_{18}$ metallic glass studied by small angle neutron scattering
- KFKI-1990-03/A B. Kämpfer et al.: Description of the nuclear stopping process within anisotropic thermo-hydrodynamics
- KFKI-1990-04/A S. Hegyi et al.: A prediction for multiplicity distributions at future hadronic colliders
- KFKI-1990-05/N P. Jani: Reconstruction error analysis of sampling interferometers (in Hungarian)
- KFKI-1990-06/A S. Hegyi et al.: Does KNO scaling hold at LEP energies?
- KFKI-1990-07/A T. Gémesy et al.: Inclusive Ξ^- and $\bar{\Xi}^+$ production in 360 GeV/c pp Interactions using the European Hybrid Spectrometer
- KFKI-1990-08/G Th. Bandurski et al.: PMK: A programme for the off-line analysis of PMK-NVH experiments
- KFKI-1990-09/A V.Sh. Gogokhia et al.: Determination of the pion decay constant and quark condensate in the chiral limit
- KFKI-1990-10/E G. Ódor: Investigation of the defected Potts model by the density of states method
- KFKI-1990-11/A Ágnes Holba et al.: Is the anomalous Brownian motion seen in emulsions?
- KFKI-1990-12/G Baranyai G. et al.: KNI Sealing Detection. (in Hungarian)

- KFKI-1990-13/M** M. Barbuceanu et al.: Concurrent refinement: A model and shell for hierarchic problem solving
- KFKI-1990-14/D** U. Wenzel et al.: Messung der Elektronendichte in der Randschicht eines Tokamaks durch Atomstrahlinjektion
- KFKI-1990-15/A** L. Diósi: A relativistic theory for continuous measurement of quantum fields
- KFKI-1990-16/E** B. Újfalussy et al.: Electronic states of quasicrystals from the multiple scattering theory
- KFKI-1990-17/D** J.S. Bakos: High intensity far infrared laser with buffer gases
- KFKI-1990-18/G** S. Kiss et al.: Studies on vibration of fuel rods. II. Checking reliability of the mechanical model of the fuel rod vibration in a laboratory experiment (In Hungarian)
- KFKI-1990-19/J** Sz. Vass: Structure of sodium alkyl sulphate micelles. Results from density-neutron scattering and positron annihilation measurements
- KFKI-1990-20/A** S. Keszthelyi-Lándori et al.: Decay-time measurements on "pure" CsI scintillators prepared by different methods
- KFKI-1990-21/A** L. Diósi et al.: Statistical distance and the approach to KNO scaling
- KFKI-1990-22/E** L. Illgen et al.: Influence of impurities on the ductility and magnetic properties of iron-boron-silicon amorphous ribbons (In German)
- KFKI-1990-23/C** M.I. Verigin et al.: Ions of planetary origin in the martian magnetosphere (PHOBOS-2/TAUS experiment)